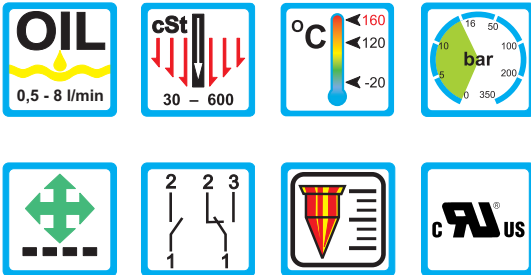


Flow Monitor Flow Indicator



DKG-2



Range of Applications

Operation

- Float measuring principle

Application

- Central lubrication
- Circulation lubrication
- Transformers

Features

- Universal orientation
- Viscosity compensated
- High switch accuracy
- Infinitely variable switchpoint adjustment through user
- Scales are burned into the sight glass
- Threaded connection, special threads on request

Installation hints

- The operating instruction for DKG must be observed!
- Download: www.meister-flow.com

Operating Data

| | |
|-------------------------|--------------------------|
| Operating pressure max. | 16 bar |
| Pressure drop | 0,02 - 0,2 bar |
| Viscosity range | 30 cSt to 600 cSt |
| Maximum temperature | 120 °C (optional 160 °C) |
| Accuracy | ±10 % of full scale |

Measuring Ranges

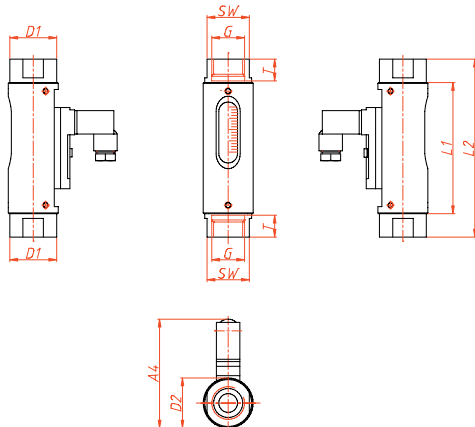
| Type | Switch range for oil, density 0,9 kg/dm ³ ⁽¹⁾ | | |
|---------|---|--------------|-------|
| | [l/min] | [gph] | [gpm] |
| DKG-2/2 | 0,5 - 1,7 | 8,0 - 27,0 | |
| DKG-2/3 | 0,8 - 2,5 | 13,0 - 40,0 | |
| DKG-2/4 | 1,3 - 4,0 | 21,0 - 63,0 | |
| DKG-2/8 | 2,5 - 8,0 | 40,0 - 127,0 | |

⁽¹⁾ The specified data are switch-off points, other switch ranges on request.

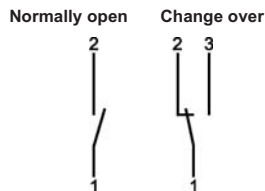


Technical Data

Mechanical drawing



Connection diagram



Electrical Data

Change over ⁽³⁾ 250V • 1,5A • 50VA ⁽²⁾

Normally open 230V • 3A • 60VA

Change over M 12x1 (-20 °C - 85 °C) 125V • 1,5A • 50VA ⁽²⁾

Normally open M 12x1 (-20 °C - 85 °C) 125V • 3A • 100VA

Change over SPS ⁽³⁾ 250V • 1A • 60VA

Ingress Protection:

IP65: plug connection DIN 43650 Form C or plug connection M 12x1

IP67: 1 m sealed in cable, (with EEx-version 2 m)

Output signal

The contact opens / changes when the flow decreases below the set point.

Power supply

Not required (potential free reed contacts)

Plug types

Other plug types oder cable lengths on request

⁽²⁾ Minimum load 3 VA

⁽³⁾ Only with plug connection

Summary of types

| Type: | Overall dimensions [mm] | | | | | | | | | | | Weight approx. [g] | |
|---------|-------------------------|----|-----|----|------|----|----|----|----|----|----|--------------------|-----|
| | SW | L1 | L2 | D1 | G | T | D2 | DN | A1 | A2 | A3 | | A4 |
| DKG-2/2 | | | | | | | | | | | | | |
| DKG-2/3 | | | | | | | | | | | | | |
| DKG-2/4 | 27 | 84 | 114 | 30 | 1/2" | 14 | 32 | 15 | - | - | - | approx. 70 | 300 |
| DKG-2/8 | | | | | | | | | | | | | |

Material

Brass version

Wetted parts:

Sight glass: Duran 50
 Spring: 1.4571
 Gaskets: FKM
 (optional NBR, EPDM) ⁽⁴⁾
 Magnets: Hard ferrite

all other wetted parts: Brass nickel-plated

Non wetted parts:

Housing: Aluminium anodized

Stainless steel version

Wetted parts:

Sight glass: Duran 50
 Spring: 1.4571
 Gaskets: FKM
 (optional NBR, EPDM) ⁽⁴⁾
 Magnets: Hard ferrite

all other wetted parts: 1.4571

Non wetted parts:

Housing: Aluminium anodized

⁽⁴⁾ Other gasket materials on request



TR Automatyka Sp. z o. o.
 ul. Lechicka 14 ; 02-156 Warszawa

Tel. (+48 022) 886 10 16
 Fax. (+48 022) 846 50 37

www.trautomatyka.pl
biuro@trautomatyka.pl