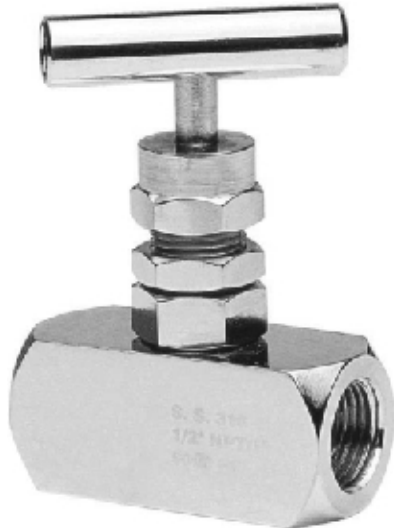




# NEEDLE VALVE

ALL STAINLESS STEEL



## SPECIAL FEATURES

- SS "T" BAR HANDLE FOR LOW TORQUE OPERATION
- BUBBLE TIGHT SHUTOFF.
- P.T.F.E ADJUSTABLE PACKING INSTALLED BELOW OPERATING THREADS TO PREVENT MEDIA CONTAMINATION OR LUBRICANT WASHOUT OF OPERATING THREADS
- TESTED UPTO 10000 PSI.
- WORKING PRESSURE OF 6,000 PSI / 10000PSI
- TESTED FOR VIBRATION AND THERMAL STABILITY
- SPINDLE FOR LONGER DURABLE OPERATION

## SPECIFICATIONS

### STANDARD VERSION : GS

Type	: "T" Bar Handle in Stainless Steel
Working Pressure	: 6000 PSI
Working Temperature	: 93° C
Orifice Size	: 4.8mm
Size	: 1/8" To 1"
Body	: AISI 304 SS, AISI 316 SS, Carbon Steel, Hastelloy 'C', Monel
Stem	: AISI 316 SS
Stem Packing	: PTFE

### HIGH PRESSURE VERSION : GT

Working Pressure	: 10000 PSI
Body	: AISI 304 SS, AISI 316 SS, Hastelloy 'C', Monel
Other Features	: Refer Specification of Standard Version

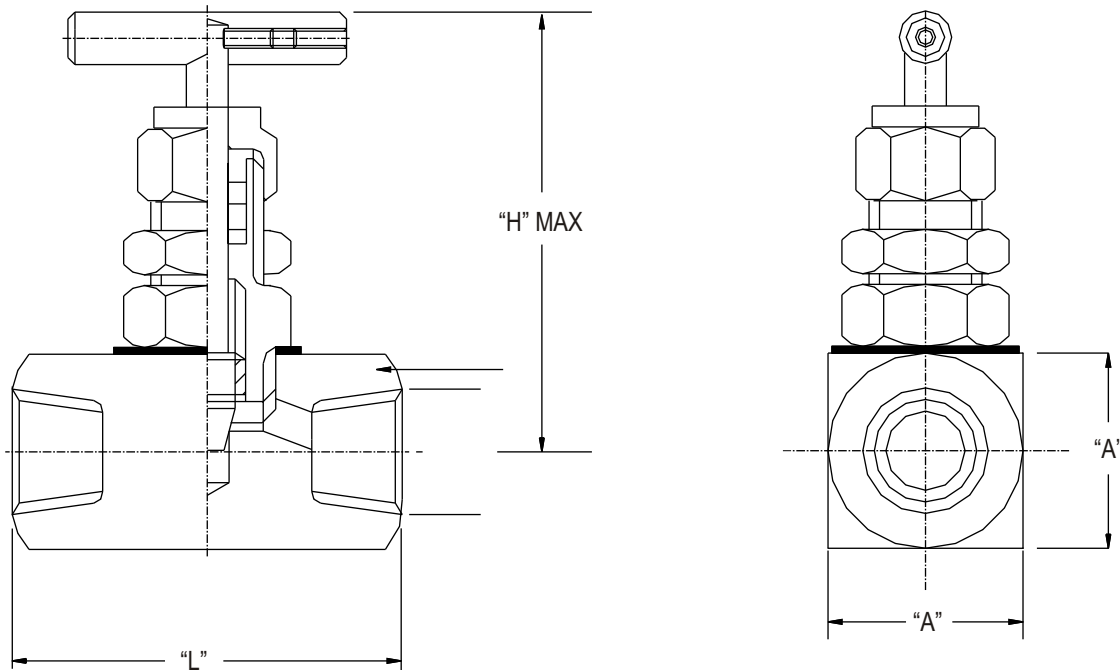
### PRESSURE VS TEMPERATURE

PTFE	: 6000 PSI 200°F - 413 BAR @ 93°C
	: 4000 PSI 500°F - 276 BAR @ 260°C
Graphoil	: 6000 PSI 200°F - 413 BAR @ 93°C
	: 1500 PSI 1000°F - 103 BAR @ 537°C



# NEEDLE VALVE

ALL STAINLESS STEEL



## TECHNICAL DATA

CONNECTION SIZE	CONNECTION	BAR SIZE(A)	LENGTH (mm)(L)	HEIGHT (mm)(H)
1/8"	FF	22	50	60
1/8"	MF	22	55	60
1/8"	MM	22	60	60
1/8"	TO	22	72	60
1/4"	FF	22	60	65
1/4"	MF	22	65	65
1/4"	MM	22	70	65
1/4"	TO	22	85	65
3/8"	FF	25	60	65
3/8"	MF	25	65	65
3/8"	MM	25	70	65
3/8"	TO	25	85	65
1/2"	FF	32	65	70
1/2"	MF	32	70	70
1/2"	MM	32	75	70
1/2"	TO	32	95	70
3/4"	FF	38	75	85
3/4"	MF	38	80	85
3/4"	MM	38	85	85
3/4"	TO	38	105	85
1"	FF	40	85	95
1"	MF	40	104	95
1"	MM	40	105	95
1"	TO	40	80	95

**Notes :**

*Drawing not to scale*

*All dimensions in mm*

*MM : Male x Male*

*FF : Female x Female*

*MF : Male x Female*

*TO : Tube OD x Tube OD*



# NEEDLE VALVE

## ALL STAINLESS STEEL

**EF**

### HOW TO ORDER

#### BASIC MODEL

#### TYPE

**GS** STANDARD VERSION      **GT** HIGH PRESSURE VERSION

#### BODY

**TN** CARBON STEEL (ASTM A105)      **TM** MONEL-400  
**TK** AISI 304 SS      **TT** HASTELLOY - C  
**TM** AISI 316 SS

#### STEM PACKING

**VI** TEFLON (PTFE)      **IC** GRAPHOIL

#### SIZE AT INLET

<b>IGU</b> 1/8" BSP(F)	<b>IHA</b> 1/8" NPT(F)	<b>IHG</b> 1/8" BSPT(F)	<b>IHO</b> 6MM OD
<b>IGV</b> 1/4" BSP(F)	<b>IHB</b> 1/4" NPT(F)	<b>IHH</b> 1/4" BSPT(F)	<b>IHQ</b> 10MM OD
<b>IGW</b> 3/8" BSP(F)	<b>IHC</b> 3/8" NPT(F)	<b>IHI</b> 3/8" BSPT(F)	<b>IHR</b> 12MM OD
<b>IGX</b> 1/2" BSP(F)	<b>IHD</b> 1/2" NPT(F)	<b>IHJ</b> 1/2" BSPT(F)	<b>IHS</b> 14MM OD
<b>IGY</b> 3/4" BSP(F)	<b>IHE</b> 3/4" NPT(F)	<b>IHK</b> 3/4" BSPT(F)	<b>IHT</b> 16MM OD
<b>IGZ</b> 1" BSP(F)	<b>IHF</b> 1" NPT(F)	<b>IHL</b> 1" BSPT(F)	<b>IHV</b> 25MM OD
<b>IFI</b> 1/8" BSP(M)	<b>IFO</b> 1/8" NPT(M)	<b>IFU</b> 1/8" BSPT(M)	<b>IHW</b> 1/8" OD
<b>IFJ</b> 1/4" BSP(M)	<b>IFP</b> 1/4" NPT(M)	<b>IFV</b> 1/4" BSPT(M)	<b>IHX</b> 1/4" OD
<b>IFK</b> 3/8" BSP(M)	<b>IFQ</b> 3/8" NPT(M)	<b>IFW</b> 3/8" BSPT(M)	<b>IHY</b> 3/8" OD
<b>IFL</b> 1/2" BSP(M)	<b>IFR</b> 1/2" NPT(M)	<b>IFX</b> 1/2" BSPT(M)	<b>IHZ</b> 1/2" OD
<b>IFM</b> 3/4" BSP(M)	<b>IFS</b> 3/4" NPT(M)	<b>IFY</b> 3/4" BSPT(M)	<b>IIA</b> 3/4" OD
<b>IFN</b> 1" BSP(M)	<b>IFT</b> 1" NPT(M)	<b>IFZ</b> 1" BSPT(M)	<b>IIB</b> 1" OD

#### SIZE AT OUTLET

<b>OGU</b> 1/8" BSP(F)	<b>OHA</b> 1/8" NPT(F)	<b>OHG</b> 1/8" BSPT(F)	<b>OHO</b> 6MM OD
<b>OGV</b> 1/4" BSP(F)	<b>OHB</b> 1/4" NPT(F)	<b>OHH</b> 1/4" BSPT(F)	<b>OHQ</b> 10MM OD
<b>OGW</b> 3/8" BSP(F)	<b>OHC</b> 3/8" NPT(F)	<b>OHI</b> 3/8" BSPT(F)	<b>OHR</b> 12MM OD
<b>OGX</b> 1/2" BSP(F)	<b>OHD</b> 1/2" NPT(F)	<b>OHJ</b> 1/2" BSPT(F)	<b>OHS</b> 14MM OD
<b>OGY</b> 3/4" BSP(F)	<b>OHE</b> 3/4" NPT(F)	<b>OHK</b> 3/4" BSPT(F)	<b>OHT</b> 16MM OD
<b>OGZ</b> 1" BSP(F)	<b>OHF</b> 1" NPT(F)	<b>OHL</b> 1" BSPT(F)	<b>OHV</b> 25MM OD
<b>OFI</b> 1/8" BSP(M)	<b>OFO</b> 1/8" NPT(M)	<b>OFU</b> 1/8" BSPT(M)	<b>OHW</b> 1/8" OD
<b>OFJ</b> 1/4" BSP(M)	<b>OFP</b> 1/4" NPT(M)	<b>OFV</b> 1/4" BSPT(M)	<b>OHX</b> 1/4" OD
<b>OFK</b> 3/8" BSP(M)	<b>OFQ</b> 3/8" NPT(M)	<b>OFW</b> 3/8" BSPT(M)	<b>OHY</b> 3/8" OD
<b>OFL</b> 1/2" BSP(M)	<b>OFR</b> 1/2" NPT(M)	<b>OFX</b> 1/2" BSPT(M)	<b>OHZ</b> 1/2" OD
<b>OFM</b> 3/4" BSP(M)	<b>OFS</b> 3/4" NPT(M)	<b>OFY</b> 3/4" BSPT(M)	<b>OIA</b> 3/4" OD
<b>OFN</b> 1" BSP(M)	<b>OFT</b> 1" NPT(M)	<b>OFZ</b> 1" BSPT(M)	<b>OIB</b> 1" OD

#### OPTIONS

**GH** MATERIAL TEST CERTIFICATE      **TF** SUITABLE NACE VERSION  
**ID** CROSS BAR HANDLE      **IE** ROUND HANDWHEEL HANDLE

Angle type needle valves can be provided on request

Note : Due to continuous changes the specification may vary from time to time

**EF**

**GS**

**TN**

**VI**

**IGU**

**OGU**

**GH**