



The art of power and perfection

PNEUMATIC ACTUATORS

ACT-1750

PDS-AC-1750 Rev. 5



Manufacturing program:

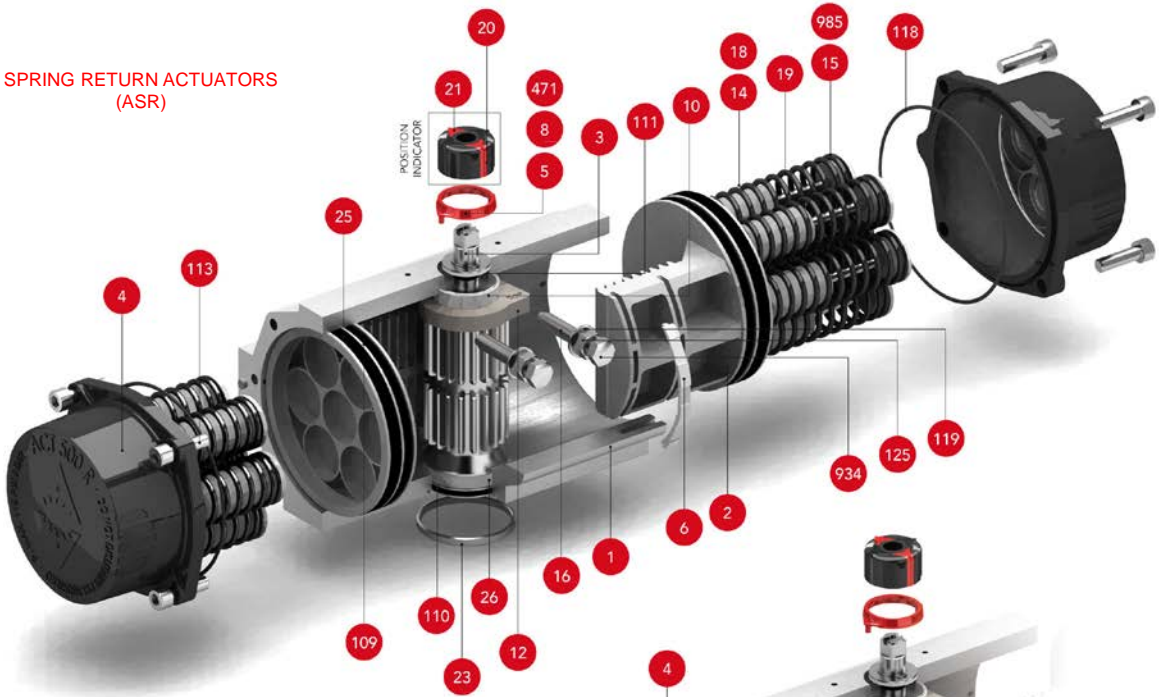
Ex II 2 G D c – LCIE 05 AR 022

Quality & Environmental Management:



TECHNICAL FEATURES

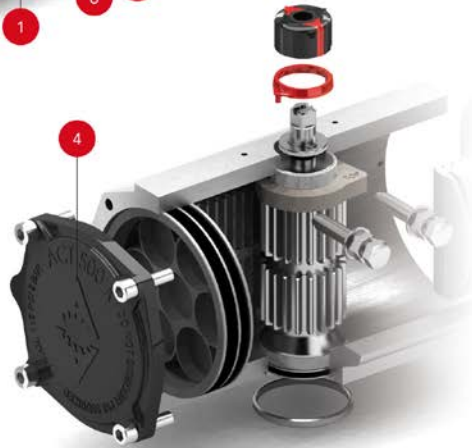
SPRING RETURN ACTUATORS (ASR)



POSITION INDICATOR



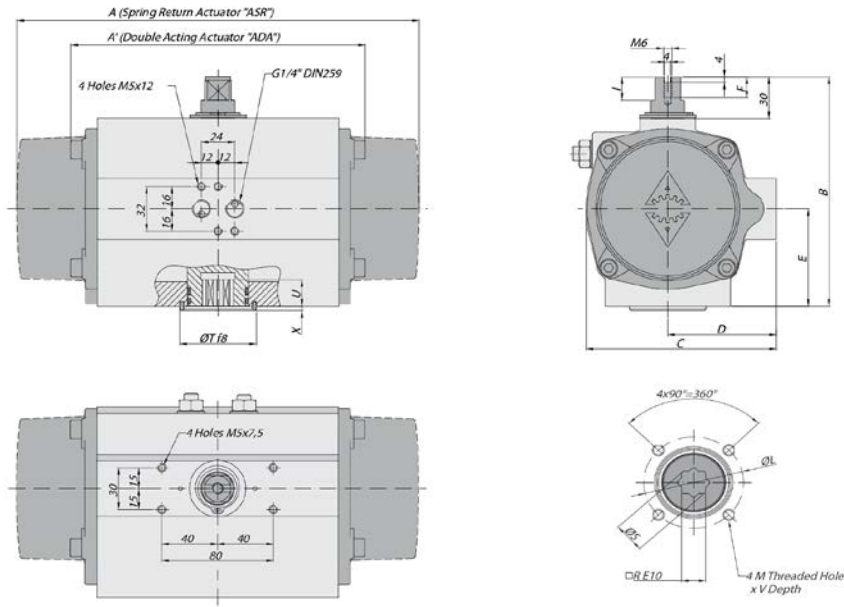
DOUBLE ACTING ACTUATORS (ADA)



PARTS & MATERIALS

Item	Description	Material	Item	Description	Material
1	Body	Aluminium Hard Anodized	23	Centering Ring	Nickel Plated Carbon Steel
2	Piston	Aluminium	24	Plug Air Stop	NBR
3	Pinion	Nickel Plated Carbon Steel	25	Slide Guide	Polyamide PA 6.6 + 30% G.F.
4	End Caps	Aluminium Epoxy Coated	26	Lower Pinion Bearing	Hostalen RCH 1000
5	Soft Pinion Washer	Polyamide PA 6.6	109	O-Ring	NBR
6	Slide piston	Polyamide PA 6.6 + 30% G.F.	110	O-Ring	NBR
8	Pinion Washer	Stainless Steel	111	O-Ring	NBR
10	Upper Pinion Bearing	Hostalen RCH 1000	113	Bolt	Stainless Steel
12	Stop	ASTM A-105	118	O-Ring	NBR
14	(*) Spring's Long Support	Polyamide PA 6.6	119	O-Ring	NBR
15	(*) Spring's short Support	Polyamide PA 6.6	125	Washer	Stainless Steel
16	Levelling Screw	Stainless Steel	913	Set Screw	Stainless Steel
18	(*) Bolt	Stainless Steel	471	External Circlip	Stainless Steel
19	(*) Spring	DIN 2076 -D-5.6	934	Nut	Stainless Steel
20	Position Indicator	Polyamide	985	(*) Nut	Stainless Steel
21	Cam	Polyamide			

(*) Only for serie ASR.



DIMENSIONS

A	A'	B	C	D	E	F	I	R	ØS	ISO 5211	ØL	M x V	ISO 5211	ØL1	M1 x V1	ØT	X	U
601	461	280	242,5	131	130	16	18,6	36	48,5	F14	140	M16X26				100	4	50

(*) Dimensions in mm.

GENERAL CHARACTERISTICS

DESIGN STANDARDS	Serie ADA	Actuator	Double Acting
	Serie ASR	Actuator	Spring Return
Mounting of solenoid valves	NAMUR Std.		
Mounting of devices	NAMUR VDI		NAMUR VDE 3845 Std.
Coupling according	ISO 5211		DIN 3337
Marking	Ex II 2 G D c LCIE 05 AR 022		According to EN 15714-3

TESTS AND CERTIFICATES

Quality assurance	ISO 9001	Safety Integral level 3 (SIL3)	
-------------------	----------	--------------------------------	--

Max. Pressure	Rotation	Screw stroke Adjustment	Chamber Ø (mm)	Air Volume (L)		Stroke Time Sec. (A)		Operating Temperature (°C)		
				Opening	Closing	Opening	Closing	STD (standard)	HT (high temp.)	LT (low temp.)
8 bar	90° ±5°	For 1° Need ¼ Turn	210	9,8	9,3	D 1,8	D 2,0	NBR "O" Ring	FPM "O" Ring	Silicone "O" Ring
						S 2,8	S 3,2	-30° to +100°	-15° to +150°	-40° to +80°

DOUBLE ACTING ACTUATOR "ADA" TORQUE OUTPUT IN Nm

TYPE Pressure	Output Torque For Double Acting in Nm												Weight (Kg)										
	3 bar		3,5 bar		4 bar		4,5 bar		5 bar		5,5 bar			6 bar (A)		6,5 bar		7 bar		8 bar			
D	0°	90°	0°	90°	0°	90°	0°	90°	0°	90°	0°	90°	0°	90°	0°	90°	0°	90°	0°	90°	0°	90°	32,5
	707		824		942		1060		1178		1295		1413		1531		1649		1884				

SPRING RETURN ACTUATOR "ASR" TORQUE OUTPUT IN Nm

TYPE Pressure	Output Torque for Spring Return in Nm														Spring stroke		Weight (Kg)								
	3 bar		3,5 bar		4 bar		4,5 bar		5 bar		5,5 bar		6 bar (A)		6,5 bar			7 bar		8 bar					
S06	0°	90°	0°	90°	0°	90°	0°	90°	0°	90°	0°	90°	0°	90°	0°	90°	0°	90°	0°	90°	0°	90°	END	STAR	39,3
S08	477	349	595	466	712	584	830	702	948	820	1066	937	1183	1055	1301	1173	1419	1291	1654	1526	270	421	360	562	41,0
S10	400	229	518	347	636	465	754	582	871	700	989	818	1107	936	1225	1053	1342	1171	1578	1407	360	562	451	702	42,7
S12			441	228	559	345	677	463	795	581	912	699	1030	816	1148	934	1266	1052	1501	1287	451	702	451	702	44,4
S14 (A)							600	344	718	461	836	579	954	697	1071	815	1189	933	1425	1168	541	843	631	983	46,0
							642	342	759	460	877	578	995	695	1113	813	1348	1049	631	983					

(A) Standard construction.



ACTREG, S.A. (Headquarters)

C/ Cantabria, 2
Polígono Industrial Les Salines
08830 Sant Boi del Llobregat
Barcelona (Spain)
Phone +34 93 661 44 10
Fax +34 93 654 33 93

actreg@actreg.com

ACTREG do Brasil, Sorocaba (SP)

Avenida Liberdade, 4565
Bairro Iporanga - Sorocaba - SP
CEP 18.087-170
Sao Paulo, Brasil
Phone: 0055 (0) 15 3228 1010
Fax: 055 (0) 15 3235 9511

actreg@actregdobrasil.com.br

ACTREG Shanghai Actuator Co. Ltd.

No.658, Block A, Qiang Ye Road
SheShan Industrial Zone
SongJiang District, Shanghai
P.R.C. 201602

Phone: 0086 21 57796818
Fax: 0086 21 57792426

sale@actreg.net.cn

ACTREG UK, LTD

Units 2 & 3 Henson Close
Telford Way Industrial Estate
Kettering Northants NN 16 8PZ
United Kingdom

Phone: 0044 1536412525
Fax: 0044 1536521616

sales@actreg.co.uk

ACTREG North America

20201 Clark Graham
Baie D'Urfè, Québec
H9X 3T5 Canada

Phone: 001 514 457 5777
Fax: 001 514 457 1348

Toll Free: 1 800 667 4819
jr@trueline.ca

For further information visit our website

www.actreg.com