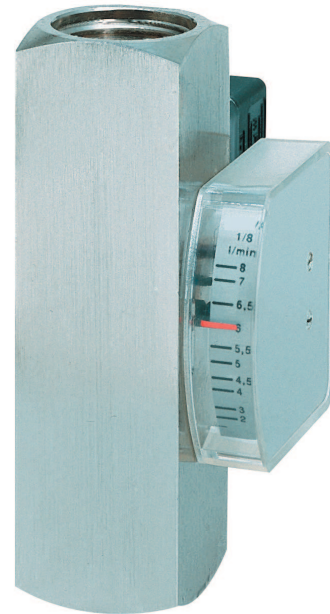
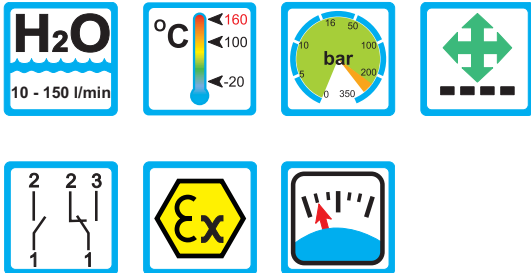


# Flow Monitor Flow Indicator



## RVM/UA-1



### Range of Application

#### Operation

- Float measuring principle

#### Application

- Mechanical engineering
- Medicine technology
- Pharma industry
- Chemical industry
- Research and development
- Cooling systems and cooling circuits

#### Features

- Universal orientation
- High reliability
- High switch accuracy
- Infinitely variable switchpoint adjustment through user
- EX-version to ATEX available
- High pressure resistance
- Threaded connection, special threads on request

#### Installation hints

- The operating instructions for RVM/UA must be observed!
- Download: [www.meister-flow.com](http://www.meister-flow.com)

### Operating Data

Operating pressure max.	250 bar (Brass) 300 bar (Stainless Steel)
Pressure drop	0,02 - 0,4 bar
Maximum temperature	100 °C (optional 160 °C)
Accuracy	±10 % of full scale

### Measuring Ranges

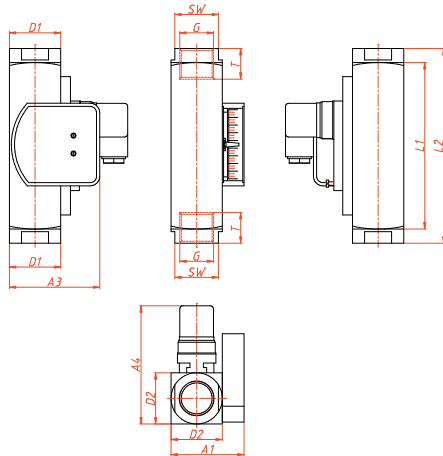
Type	Flow ranges for H <sub>2</sub> O at 20 °C <sup>(1)</sup>		
	[l/min]	[gph]	[gpm]
RVM/UA-1/30	10 - 30	160,0 - 480,0	
RVM/UA-1/45	15 - 45	240,0 - 710,0	
RVM/UA-1/60	20 - 60	320,0 - 950,0	
RVM/UA-1/90	30 - 90		8,0 - 24,0
RVM/UA-1/150	60 - 150		16,0 - 40,0

<sup>(1)</sup> The specified data are switch-off points, other switch ranges on request.

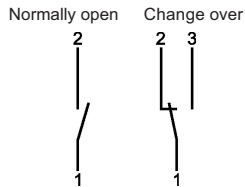


# Technical Data

## Mechanical drawing



## Connection diagram



## Electrical Data

<b>Change over</b>	250V • 1,5A • 50VA <sup>(2)</sup>
<b>Normally open</b>	250V • 3A • 100VA

**ATEX II 2 G Ex mb II T6 & ATEX II 2 D Ex tD A21 IP67 T80 °C**  
**ATEX II 2 G Ex mb II T5 & ATEX II 2 D Ex tD A21 IP67 T100 °C**

<b>Change over</b>	250V • 1A • 30VA
<b>Normally open</b>	250V • 2A • 60VA

<b>Change over M 12x1 (-20 °C - 85 °C)</b>	250V • 1,5A • 50VA <sup>(2)</sup>
<b>Normally open M 12x1 (-20 °C - 85 °C)</b>	250V • 3A • 100VA

<b>Change over SPS</b>	250V • 1A • 60VA
------------------------	------------------

### Ingress Protection:

IP65: plug connection DIN 43650 Form A

IP67: 1 m sealed in cable, (with EEx-version 2 m)  
 or plug connection M 12x1

### Output Signal

The contact opens / changes when the flow decreases below the set point.

### Power supply

Not required (potentialfree reed contacts)

### Plug types

Other plug types or cable lengths on request

<sup>(2)</sup> Minimum load 3 VA

## Summary of types

Type:	Overall dimensions [mm]											Weight approx. [g]	
	SW	L1	L2	D1	G	T	D2	DN	A1	A2	A3		A4
<b>RVM/UA-1/30</b>	34	130	152	40	*3/4"	15	40 / 40	20	57	-	70,5	approx.	1430
<b>RVM/UA-1/45</b>	40	130	130	40	1"	17	40 / 40	25	57	-	70,5	93	1250
<b>RVM/UA-1/60</b>	40	130	130	40	1"	17	40 / 40	25	57	-	70,5	approx.	1250
<b>RVM/UA-1/90</b>												93	
<b>RVM/UA-1/150</b>													

\* With fittings

## Material

### Brass version

#### Wetted parts:

Spring:	1.4571
Gaskets <sup>(3)</sup> :	NBR (optional FKM, EPDM) <sup>(4)</sup>
Magnets:	Hard ferrite
Threaded ring:	Brass
Float:	Brass
Housing:	Brass nickel-plated
Fittings (3/4"):	Brass nickel-plated

All other wetted parts: Brass

### Stainless steel version

#### Wetted parts:

Spring:	1.4571
Gaskets <sup>(3)</sup> :	FKM (optional NBR, EPDM) <sup>(4)</sup>
Magnets:	Hard ferrite
Threaded ring:	1.4571
Float:	1.4571
Housing:	1.4571
Fittings (3/4"):	1.4571

All other wetted parts: 1.4571

<sup>(3)</sup> Only with fittings

<sup>(4)</sup> Other gaskets available on request



**TR Automatyka Sp. z o. o.**  
 ul. Lechicka 14 ; 02-156 Warszawa

Tel. (+48 022) 886 10 16  
 Fax. (+48 022) 846 50 37

[www.trautomatyka.pl](http://www.trautomatyka.pl)  
[biuro@trautomatyka.pl](mailto:biuro@trautomatyka.pl)