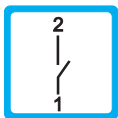
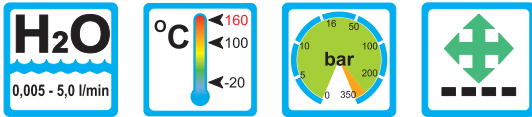


RVM/U-S4



Areas of Application

Method of Operation

- Float measuring principle

Areas of Application

- Mechanical engineering
- Medical technology
- Pharmaceutical industry
- Chemical industry
- Research and development
- Cooling systems and cooling circuits

Features

- Universal orientation
- High reliability
- High switch accuracy
- Infinitely variable switchpoint adjustment through user
- High pressure resistance
- Hose connection

Installation information

- The operating instructions for RVM/U must be observed
- Download: www.meister-flow.com

Operating Data

Operating pressure max.	300 bar (Brass)
Pressure drop	0,02 - 0,2 bar
Maximum temperature	100 °C (optional 160 °C)
Accuracy	±10 % of full scale

Measuring Ranges

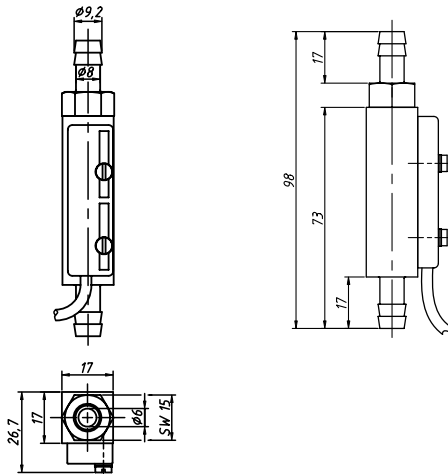
Type	Flow ranges for H ₂ O at 20 °C ⁽¹⁾		
	[l/min]	[gph]	[gpm]
RVM/U-S4/01	0,005 - 0,06	0,08 - 0,95	
RVM/U-S4/02	0,04 - 0,13	0,65 - 2,05	
RVM/U-S4/06	0,1 - 0,6	1,6 - 9,5	
RVM/U-S4/1	0,2 - 1,2	3,0 - 19,0	
RVM/U-S4/2	0,4 - 2	6,5 - 31,5	
RVM/U-S4/3	0,5 - 3	8,0 - 48,0	
RVM/U-S4/5	1 - 5	16,0 - 80,0	

⁽¹⁾ The specified data are switch-off points, other switch ranges on request.



Technical Data

Mechanical drawing



Wiring diagram



Summary of types

Type:

Type:	Nominal size DN	Weight (approx.) [g]
RVM/U-S4/01		
RVM/U-S4/02		
RVM/U-S4/06		
RVM/U-S4/1	8	160
RVM/U-S4/2		
RVM/U-S4/3		
RVM/U-S4/5		

Electrical Data

Normally open 200V • 1A • 20VA

Ingress protection:

IP67: 1 m sealed in cable)

Output Signal

The contact opens when the flow decreases below the set point.

Power supply

Not required (potentialfree reed contacts)

Other cable lengths on request

Material

Brass version

Wetted parts:

Spring:	1.4571
Gaskets:	NBR (optional FKM, EPDM)
Magnets:	Hard ferrite
Housing:	Brass
All other wetted parts:	Brass



TR Automatyka Sp. z o. o.
ul. Lechicka 14 ; 02-156 Warszawa

Tel. (+48 022) 886 10 16
Fax. (+48 022) 846 50 37

www.trautomatyka.pl
biuro@trautomatyka.pl