

## VSB



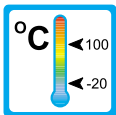
### Operation

The VSB's can be supplied in single or multiple configuration. The integrated needle valves allow the individual adjustment of the branchlines.



### Application

The blockvalves type VSB allow, by means of an integrated needle valve, the individual regulating of the flow rate through the flow monitor / indicator. The VSB's can be employed in single or multiple configuration (the multiple configuration is factory assembled).



The instruments are employed for example in the following applications:

- Monitoring of central lubrication systems
- Monitoring of lubricating systems with oil circulation.



### Characteristics

Properties of this sturdy series are:

- Manifolds up to 12 units
- max. 25 l/min per single unit
- max. 75 l/min per manifold
- Threaded connection, special threads on request

### Installation hints:

Principally the data of the mounted instruments (operating instructions and data sheets) must be observed when installing the VSB's. The feeding can be made either from the left or right hand side.

The VSB must not be used as a supporting part in a pipe construction.

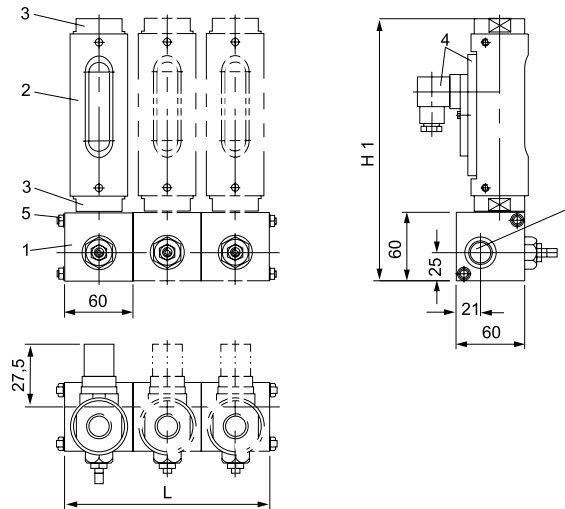
The medium must not carry any solid parts!

We recommend to install strainers model SFD or SFM.

The operating instruction for VSB must be adhered to.



# Technical Data



Pos.	Description
1	Valveblock
2	Flow monitor
3	Connection
4	Switch-housing
5	Threaded-rod
	Nut
	Washer

## Summary of types VSB

Type	Overall dimensions			H1	Weight	
	G	Thread depth [mm]	L [mm]		Aluminum [g]	Stainl. steel [g]
VSB-1	1/2"	14	60	depending on fitted flow monitor / indicator	560	1510
VSB-2	1/2"	14	120		1180	3080
VSB-3	1/2"	14	180		1770	4620
VSB-4	1/2"	14	240		2360	6160
VSB-5	1/2"	14	300		2950	7700
VSB-6	1/2"	14	360		3540	9240
VSB-7	1/2"	14	420		4130	10780
VSB-8	1/2"	14	480		4720	12320
VSB-9	1/2"	14	540		5310	13860
VSB-10	1/2"	14	600		5900	15400
VSB-11	1/2"	14	660		6490	16940
VSB-12	1/2"	14	720		7080	18480

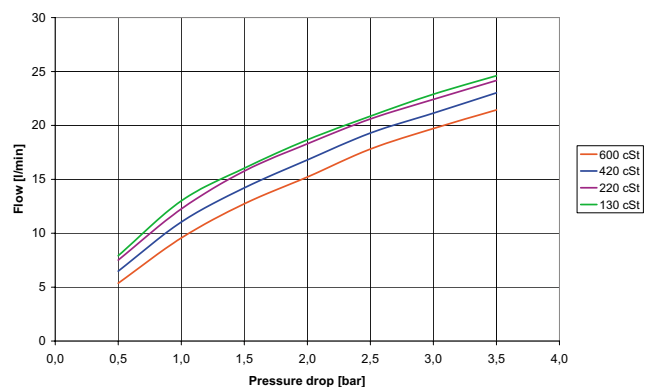
## Operating Data

### VSB

Max. operating pressure: 16 bar  
 Max. operating temperature: 100 °C

#### Pressure drop:

The diagram on the right shows the maximum flow of oil with different viscosities at a predetermined pressure drop. The measurement has been made with fully opened needle valve.



## Material

	Aluminum-Version	Stainless steel-Version
Body:	Aluminum	1.4571
Stem:	Brass	
Stemlocknut:	1.4305	
Gaskets:	Viton	Viton
Other materials on request		



TR Automatyka Sp. z o. o.  
 ul. Lechicka 14 ; 02-156 Warszawa

Tel. (+48 022) 886 10 16  
 Fax. (+48 022) 846 50 37

[www.trautomatyka.pl](http://www.trautomatyka.pl)  
[biuro@trautomatyka.pl](mailto:biuro@trautomatyka.pl)