

Compact Piston Pressure Switch

Type KD1

Mechanical piston pressure switch
Repeatability ± 1.0 % typical

Features

OEM pressure switch,
Factory setting only fully tamper proof.
Larger deadband for pump controlling

Adjustment ranges

30 ... 300 bar

Applications

Building and agricultural machines,
Brake system control,
Hydraulic accumulator control



Technical Data

Wetted parts:	NBR, PTFE Brass, roller bearing steel
Repeatability:	± 1 % typical
Switching rate:	max. 60/min
Temperature range:	-40 °C... +80 °C
Protection class: Silicone cable (K2): Spade connector (A1):	IP67 IP65
Housing:	Compact housing made of brass and stainless steel

Process connection:	M12 x 1.5 male thread Other connections on request
Electrical connection:	Silicone cable (K2) Spade connector DIN 46244 (A1)
Electrical ratings and hysteresis:	Hysteresis factory set, see diagrams
Weight:	KD1-...: approx. 0.2 kg
Set point adjustment:	Factory set
Approval:	---

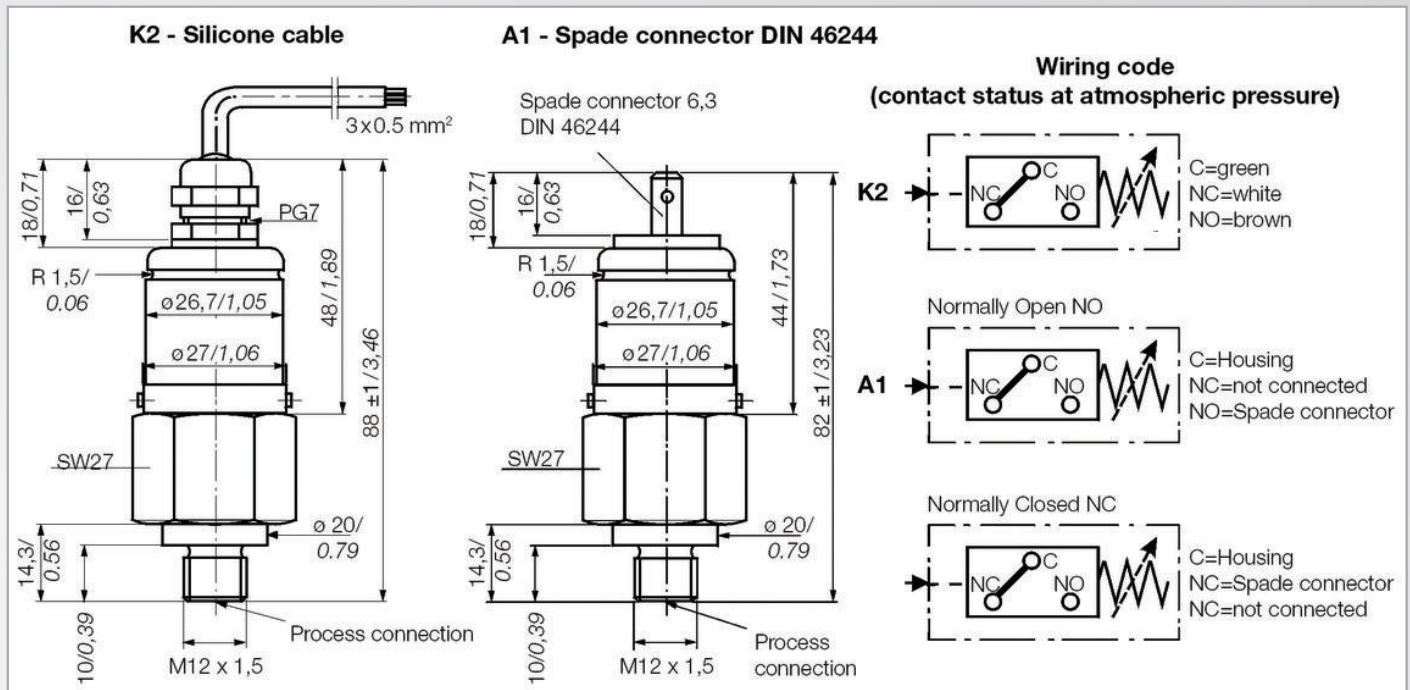
Pressure Ranges

Pressure range code	Adjustment range [bar]	Proof pressure [bar]	Max. operating pressure [bar]	Max. hysteresis [bar]
	Increasing pressure	short term		end of range
KD1-30 / 100	30 ... 100	450	300	16.5 ... 19
KD1-60 / 300	60 ... 300	450	300	34.0 ... 48

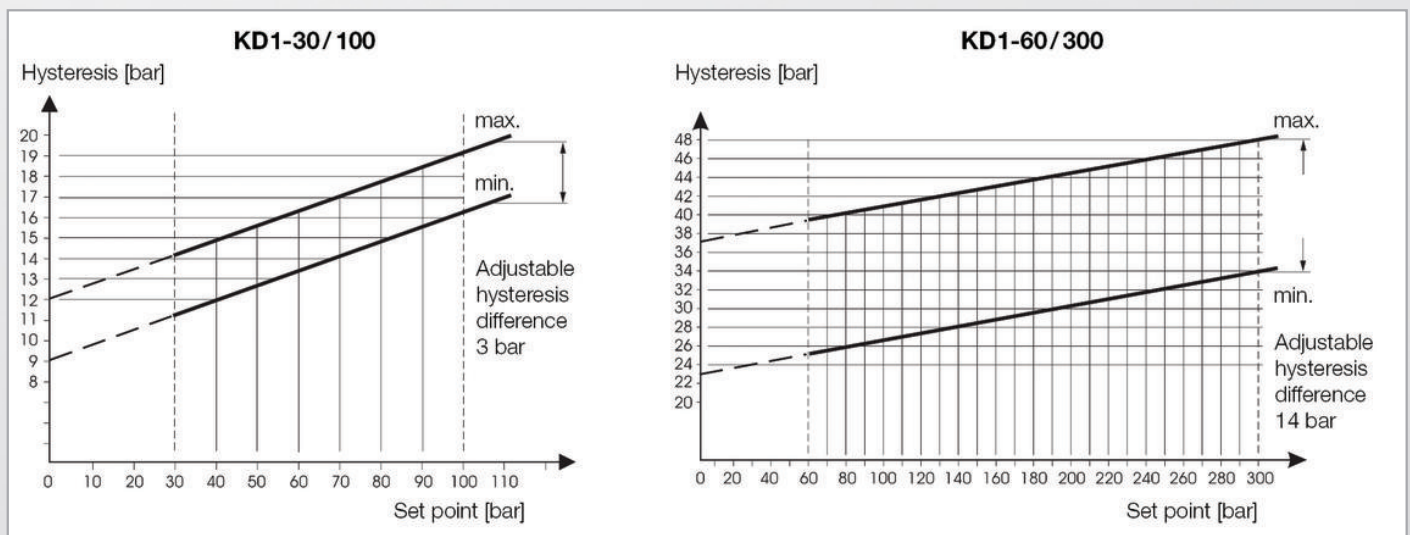
Compact Piston Pressure Switch

Type KD1

Dimensions (mm / inch)



Hysteresis Diagram KD1



Electrical Ratings

Special features	Volt DC	Ind. load A	Res. load A	Comments
Micro switch with silver contacts	30	3	3	More information on request.

Electrical Connection

Electrical connection	Options and accessories
(K2) Silicone cable 3 x 0.5 mm ² ; 600 mm long	(K1) EPD cable, 600 mm long
(A1) Spade connector 6,3 DIN 46244; green	(A2) Spade connector 6,3 DIN 46244; blue